

[ISUZU]

| MODEL | CHASSIS CODE | YEAR | ACCESSORY | PRODUCT NO. | NOTE |
|-----------------|--------------|-------------------|-----------|-------------|-------|
| ASKA | JJ | 1983-Jun.1990 | | 301 | |
| | BC | Jul.1990-Aug.1993 | | 107 | Note3 |
| | | | ACC | 108 | |
| | CD/CJ | Sep.1993-Aug.1995 | | 213 | |
| | | | ACC | 214 | |
| | | | SRS | 217 | |
| | | Sep.1995- | | 219 | |
| | | | ACC | 220 | |
| SRS | | | 217 | | |
| 117 COUPE | PA90 | 1978-1981 | | 301 | |
| GEMINI | JT | 1985-Feb.1990 | | 301 | |
| | | Mar.1990-Sep.1993 | | 301 | |
| | MA1-7 | Sep.1993-Oct.1996 | SRS | 211 | |
| | MJ | Nov.1996- | SRS | 221 | |
| FARGO FILLY | WFR | 1981-Jul.1993 | | 305 | Note2 |
| | WFS | Aug.1993-Jul.1995 | | 301 | Note2 |
| | E24 | Aug.1995- | | 620 | Note4 |
| | | | ACC | 612 | |
| | | | SRS | 623 | |
| | E50 | Jul.1997- | SRS | 623 | |
| PIAZZA | JA130 | 1981-1989 | | 302 | |
| | | 1989-Jul.1991 | | 301 | |
| | JT221 | Aug.1991-Oct.1993 | | 301 | |
| VEHICROSS | UGS25 | Apr.1997- | SRS | 317 | |
| BIGHORN | UBS25/69 | 1981-Sep.1991 | | 304 | Note2 |
| | | Oct.1991-Jun.1993 | | 301 | Note2 |
| | | Jul.1993- | | 316 | Note1 |
| | | | SRS | 317 | Note1 |
| | UBS26/73 | Feb.1998- | SRS | 317 | Note1 |
| BELLETT | TR90 | 1970-1974 | | N/A | |
| MU WIZARD | UCS17/55 | May.1989-Nov.1995 | | 301 | Note2 |
| | UCS69 | Dec.1995-May.1998 | | 316 | |
| | | | SRS | 317 | Note1 |
| UES25/73 | Jun.1998- | SRS | 317 | Note1 | |
| RODEO FASTER | TFS55 | Nov.1989-1993 | | 301 | Note2 |

Note: Regardless of the make and model of the vehicle, there are cases that compatible product number is different among the same model with the same year, because of the variation of the factory parts. Before installing this product, please compare the back of your steering wheel and the configuration of the boss kit, and see if they fit. Also, for the air bag indicator, some of the vehicles cannot be lighted off, or even if it could, it may light on later.

[ISUZU]

Regardless of the make and model of the vehicle, there are cases that compatible product number is different among the same model with the same year, because of the variation of the factory parts. Before installing this product, please compare the back of your steering wheel and the configuration of the boss kit, and see if they fit. Also, for the air bag indicator, some of the vehicles cannot be lighted off, or even if it could, it may light on later.

•We strongly recommend requesting the installation to professionals.

Note* The compatibility is for the vehicle made before April 2009. Please inquiry us for vehicles made after April 2009.

Note1 The optional Boss Spacer is necessary. Please select one from 10, 15, 20 or 25mm.

Note2 The compatible boss kit may be different due to the differences of the vehicle. Please confirm the configuration of the factory steering wheel winker canceller. (Figure 3-1)

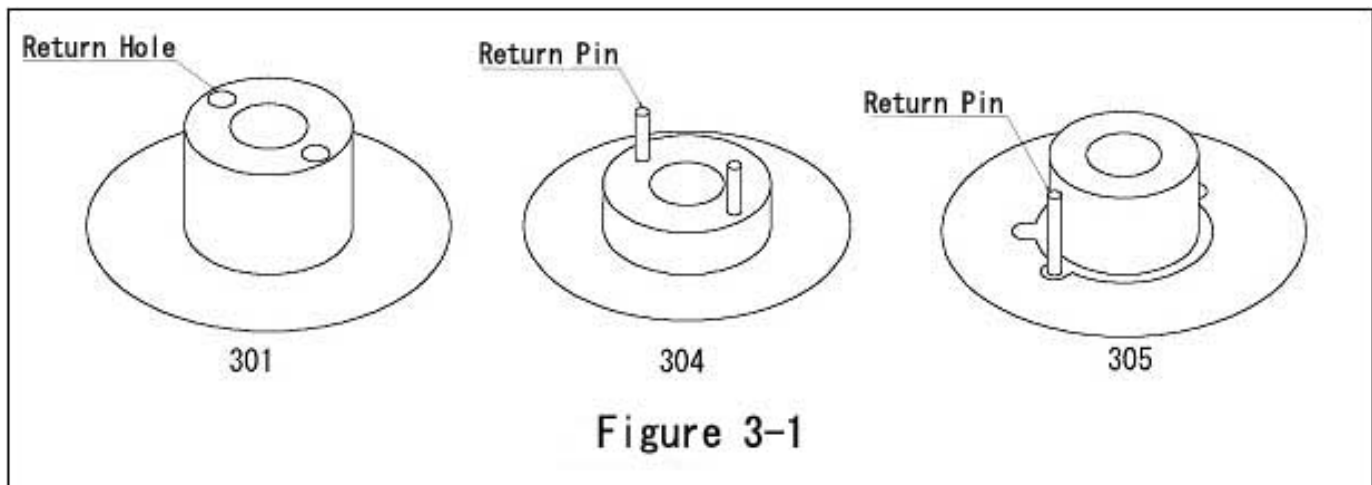
Note3 If the horn contact pivot on the car side over-hits the contact plate on the boss kit side, please stop the installation. (Figure1-1)

Note4 Boss Kit. #602 will be used for some vehicles. Please confirm the configuration of the winkle cancel on the factory steering wheel.

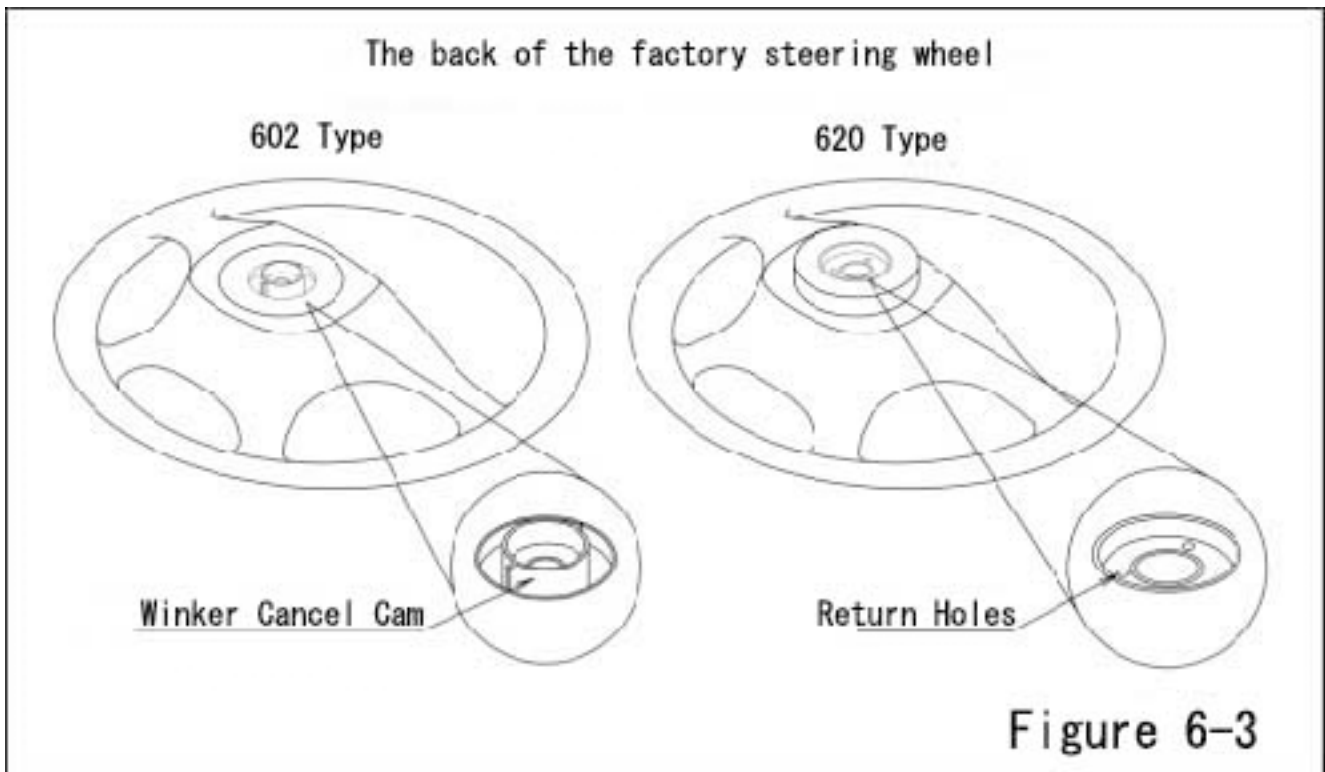
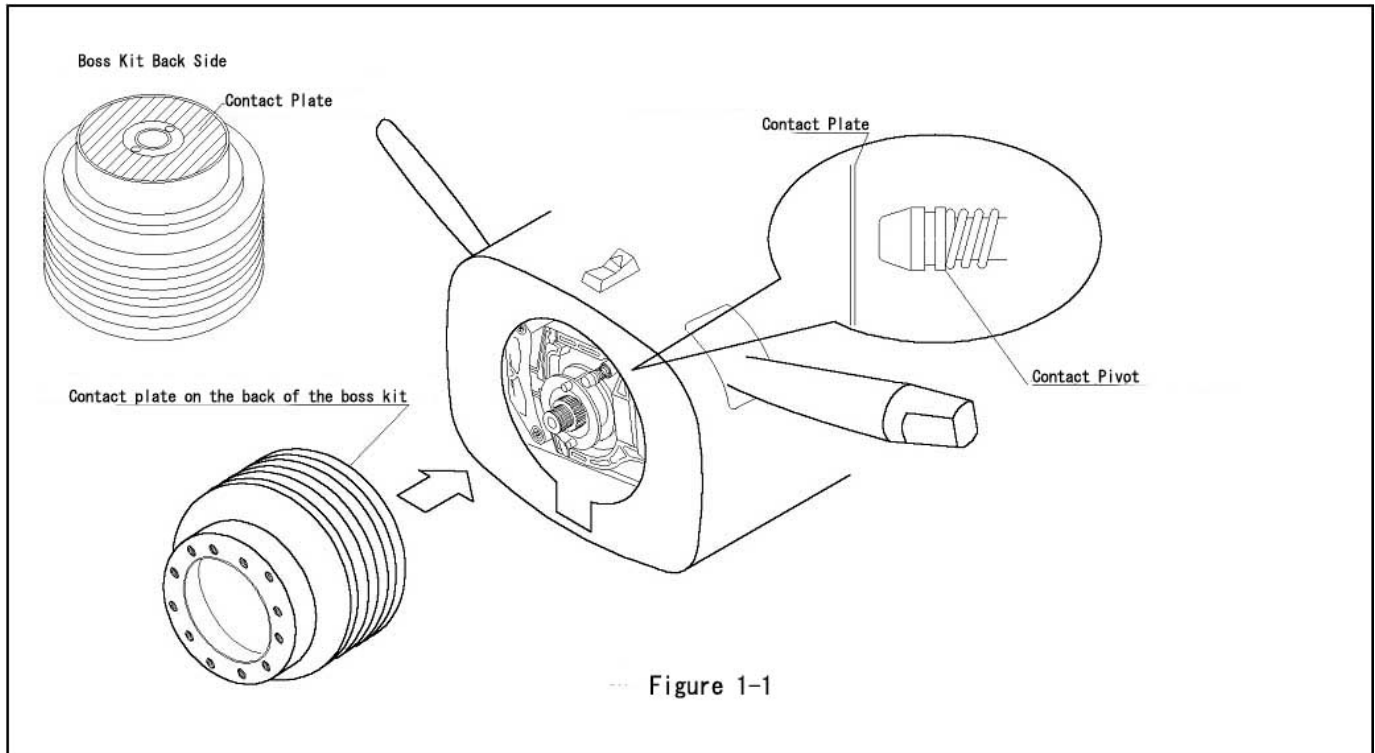
[Return pin on the steering side= #602 Return pin on the car side= #620 (Figure 6-3)]

Equipment Explanation

| | |
|-----|--------------------------|
| ACC | Automatic Cruise Control |
| SRS | Air bag |



Note: Regardless of the make and model of the vehicle, there are cases that compatible product number is different among the same model with the same year, because of the variation of the factory parts. Before installing this product, please compare the back of your steering wheel and the configuration of the boss kit, and see if they fit. Also, for the air bag indicator, some of the vehicles cannot be lighted off, or even if it could, it may light on later.



Note: Regardless of the make and model of the vehicle, there are cases that compatible product number is different among the same model with the same year, because of the variation of the factory parts. Before installing this product, please compare the back of your steering wheel and the configuration of the boss kit, and see if they fit. Also, for the air bag indicator, some of the vehicles cannot be lighted off, or even if it could, it may light on later.